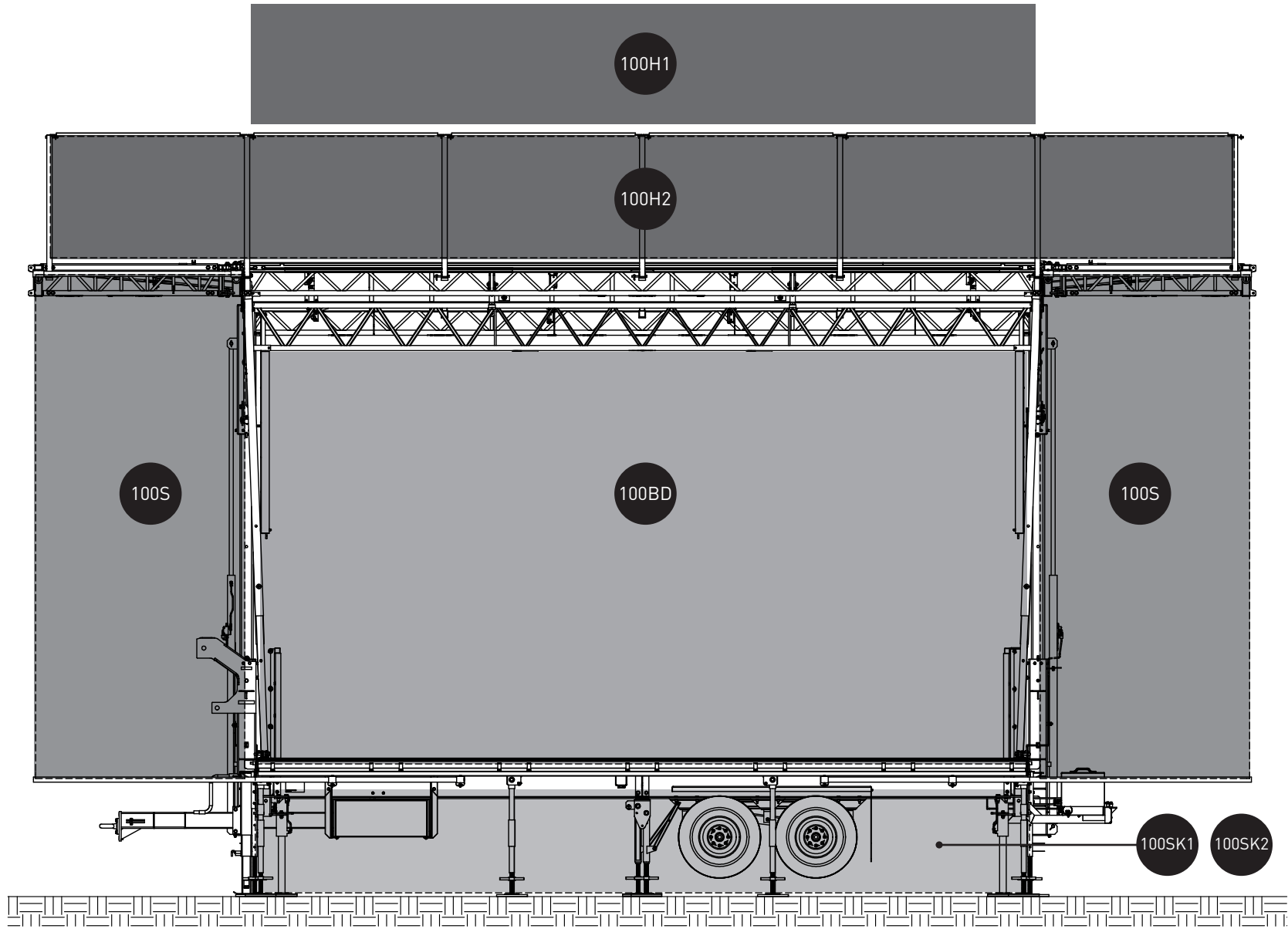




**SL100**  
**BANNERS & TRAILER**  
**WRAP BOOK**  
2019

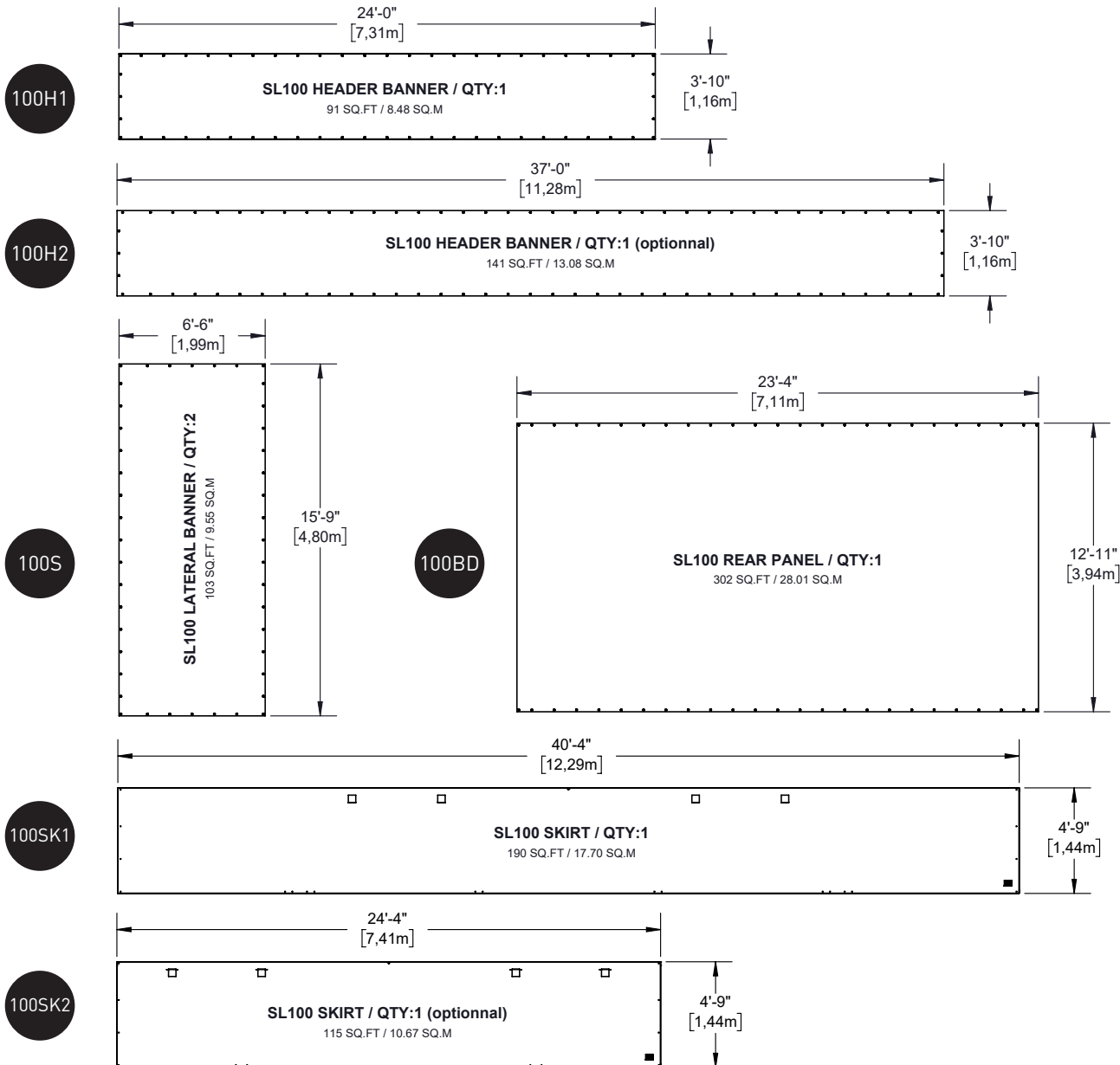


**NOTES:**

- Install either 100H1 or 100H2 when using the stage. Install either 100SK1 or 100SK2 when using the stage.

Drawings may show stage equipped with optional accessories. May be sold separately.

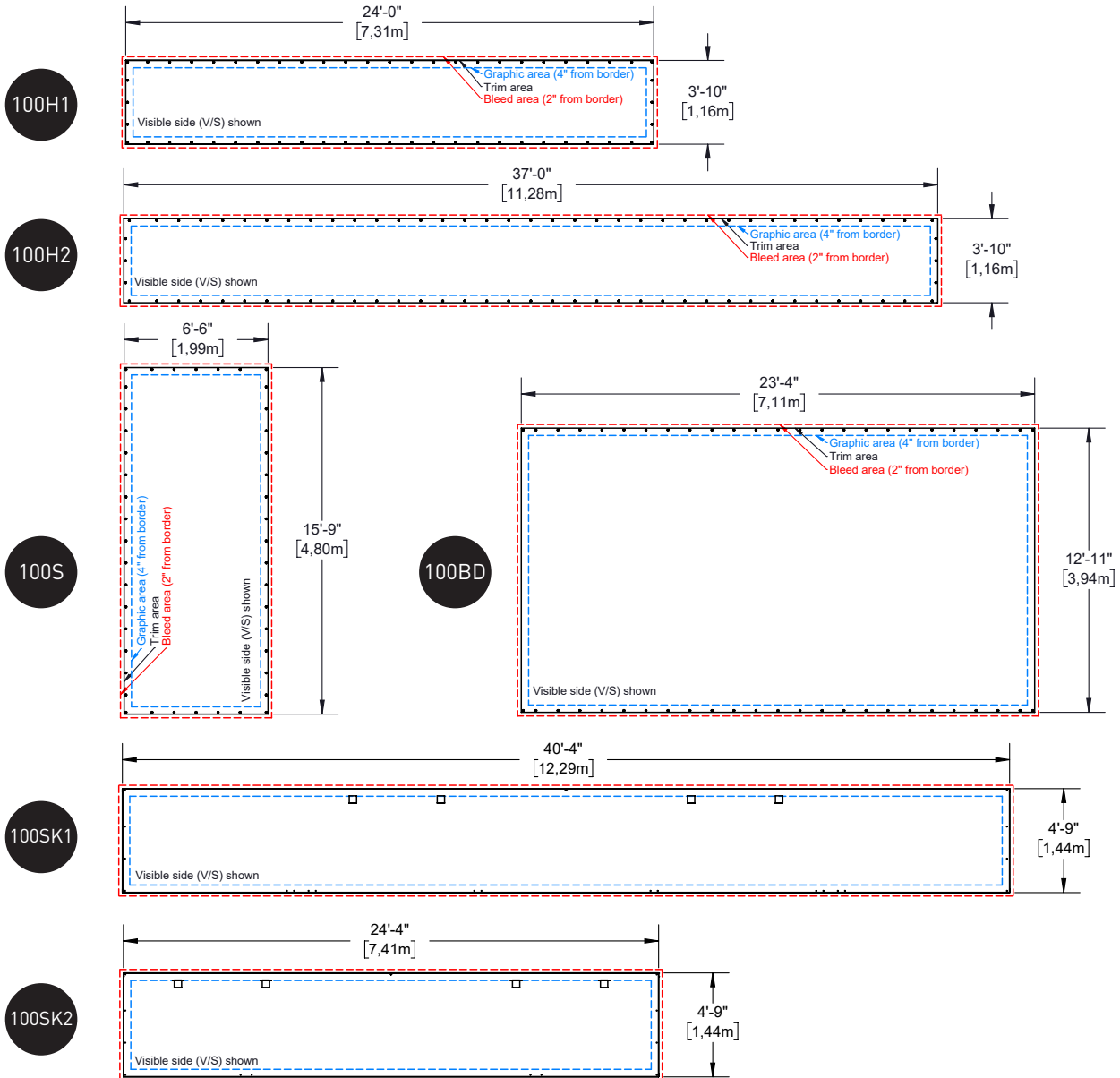
© 2019 - All rights reserved, Stageline Mobile Stage Inc. Any and all forms of adaptation or reproduction of this document including the plans and drawings found herein, in whole or in part, are strictly forbidden without the written authorisation of Stageline Mobile Stage Inc. Technical and stage specifications are subject to change without notice. Figures are nominal.



\* Applicable only for units #946 and up.

Drawings may show stage equipped with optional accessories. May be sold separately.

© 2019 - All rights reserved, Stageline Mobile Stage Inc. Any and all forms of adaptation or reproduction of this document including the plans and drawings found herein, in whole or in part, are strictly forbidden without the written authorisation of Stageline Mobile Stage Inc. Technical and stage specifications are subject to change without notice. Figures are nominal.



\* Applicable only for units #946 and up.

Drawings may show stage equipped with optional accessories. May be sold separately.

© 2019 - All rights reserved, Stageline Mobile Stage Inc. Any and all forms of adaptation or reproduction of this document including the plans and drawings found herein, in whole or in part, are strictly forbidden without the written authorisation of Stageline Mobile Stage Inc. Technical and stage specifications are subject to change without notice. Figures are nominal.

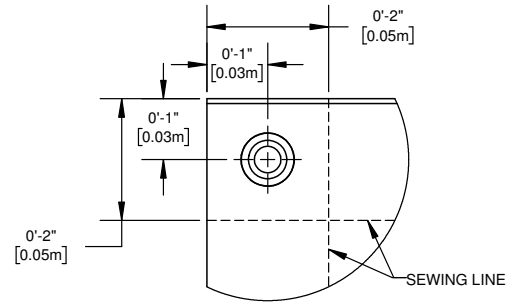
- 100H1
- 100H2
- 100S
- 100BD

### REQUIREMENTS:

- PVC webbing must be all in one piece. Otherwise, reinforce so that no strain is applied to the banner.
- Areas where welds begin and end must be reinforced with additional stitching.
- Include 12"x12" trimmings of the same material to allow for possible minor repairs.
- Supply one (1) tarpaulin bag for transportation purposes and identify its content.

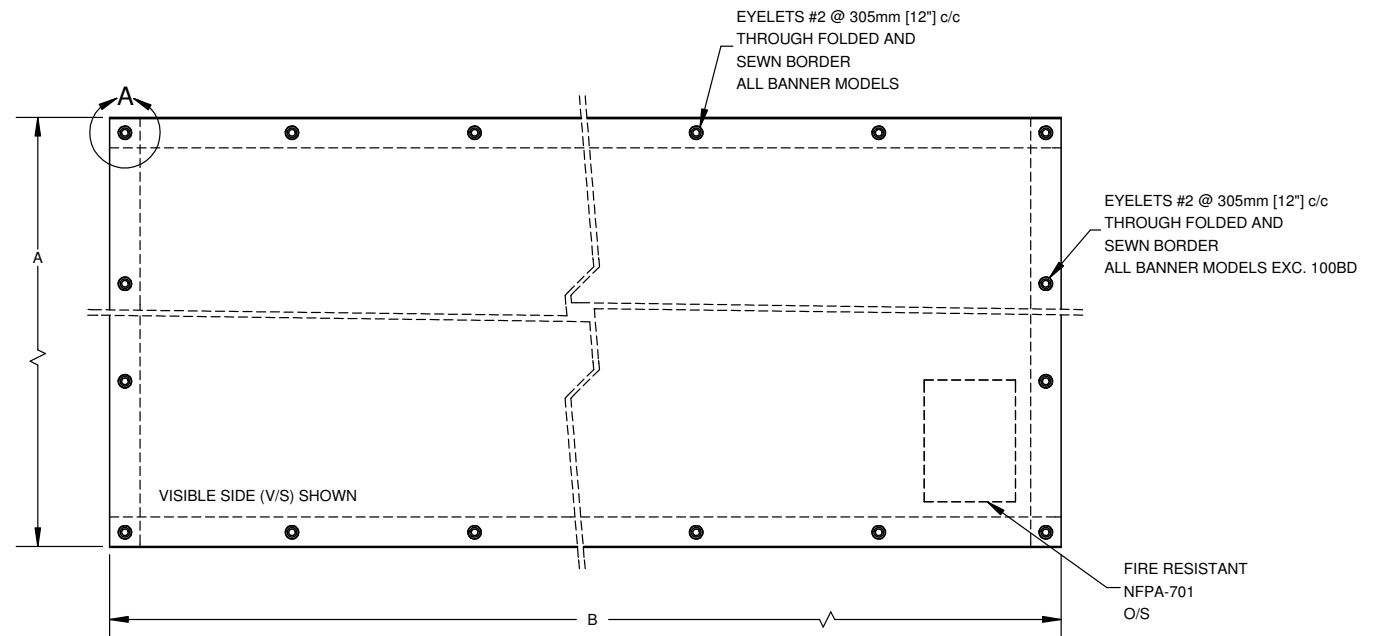
### NOTES:

- "V/S" indicates the outside (visible side).
- "O/S" indicates the inside (opposite side).
- Notes on the drawing take precedence on those above.



DETAIL A  
SCALE 1 : 3

	A	B
100H1	3'-10"	24'-0"
100H2	3'-10"	37'-0"
100S	15'-9"	6'-6"
100BD	12'-11"	23'-4"



**MATERIAL CHOICES:** (must be NFPA 701 & CAN/ULC-S109 compliant):  
70% Open Scrim/18oz Grey Vinyl/Backlight Satin White Weave/Poly Flex White Knit

\* Applicable only for units #946 and up.

Drawings may show stage equipped with optional accessories. May be sold separately.

© 2019 - All rights reserved, Stageline Mobile Stage Inc. Any and all forms of adaptation or reproduction of this document including the plans and drawings found herein, in whole or in part, are strictly forbidden without the written authorisation of Stageline Mobile Stage Inc. Technical and stage specifications are subject to change without notice. Figures are nominal.

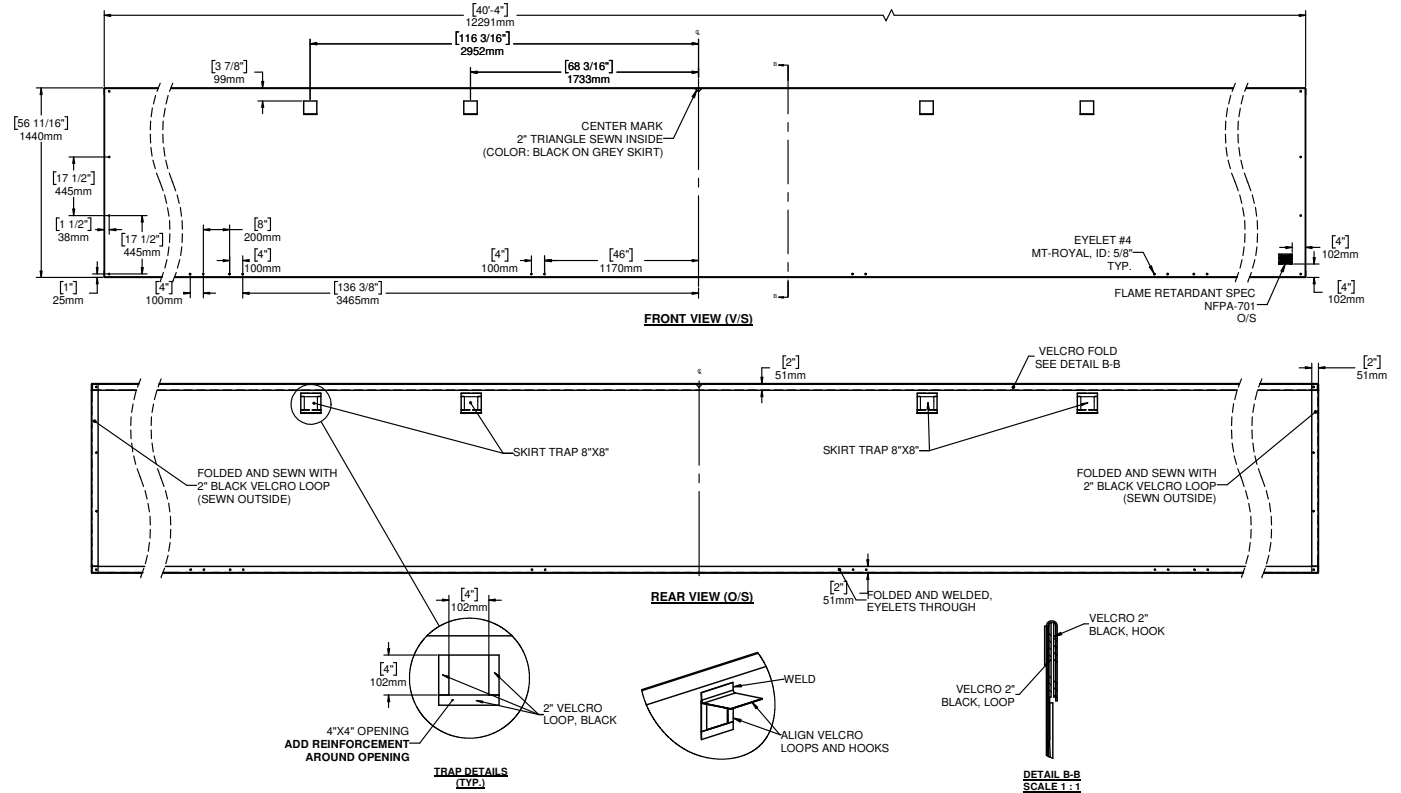
100SK1

### REQUIREMENTS:

- PVC webbing must be all in one piece. Otherwise, reinforce so that no strain is applied to the banner.
- Areas where welds begin and end must be reinforced with additional stitching.
- All welds and stitches must be continuous and uniform.
- Color match all threads with the vinyl.
- All components must be the same color as the vinyl. If this cannot be done, please contact the purchase agent.
- Include 12"x12" trimmings of the same material to allow for possible minor repairs.
- Supply one (1) tarpaulin bag for transportation purposes and identify its content.

### NOTES:

- "V/S" indicates the outside (visible side).
- "O/S" indicates the inside (opposite side).
- Notes on the drawing take precedence on those above.



**MATERIAL CHOICES:** (must be NFPA 701 & CAN/ULC-S109 compliant):

18oz Grey Vinyl

\* Applicable only for units #946 and up.

Drawings may show stage equipped with optional accessories. May be sold separately.

© 2019 - All rights reserved, Stageline Mobile Stage Inc. Any and all forms of adaptation or reproduction of this document including the plans and drawings found herein, in whole or in part, are strictly forbidden without the written authorisation of Stageline Mobile Stage Inc. Technical and stage specifications are subject to change without notice. Figures are nominal.

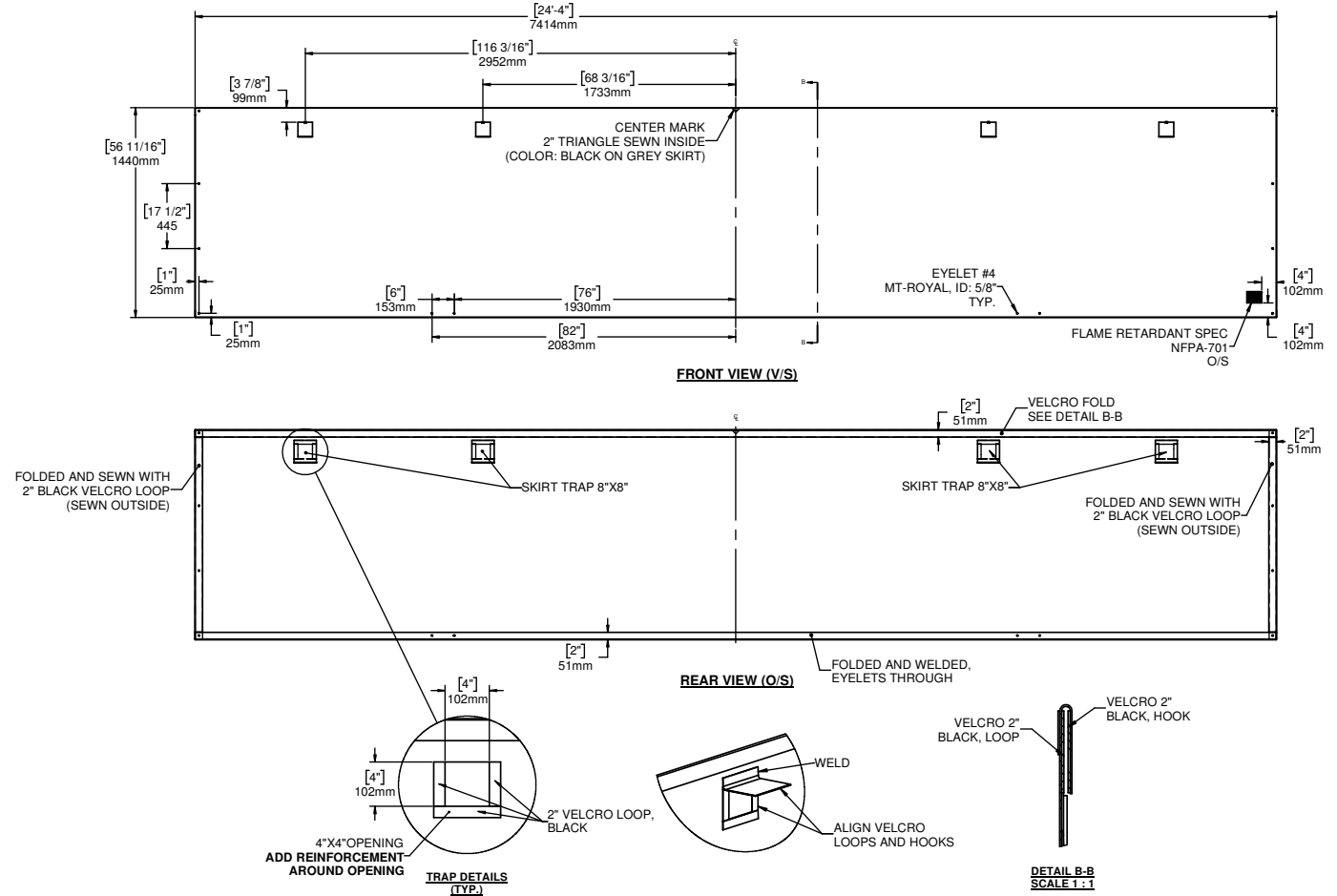
100SK2

### REQUIREMENTS:

- PVC webbing must be all in one piece. Otherwise, reinforce so that no strain is applied to the banner.
- Areas where welds begin and end must be reinforced with additional stitching.
- All welds and stitches must be continuous and uniform.
- Color match all threads with the vinyl.
- All components must be the same color as the vinyl. If this cannot be done, please contact the purchase agent.
- Include 12"x12" trimmings of the same material to allow for possible minor repairs.
- Supply one (1) tarpaulin bag for transportation purposes and identify its content.

### NOTES:

- "V/S" indicates the outside (visible side).
- "O/S" indicates the inside (opposite side).
- Notes on the drawing take precedence on those above.



**MATERIAL CHOICES:** (must be NFPA 701 & CAN/ULC-S109 compliant):

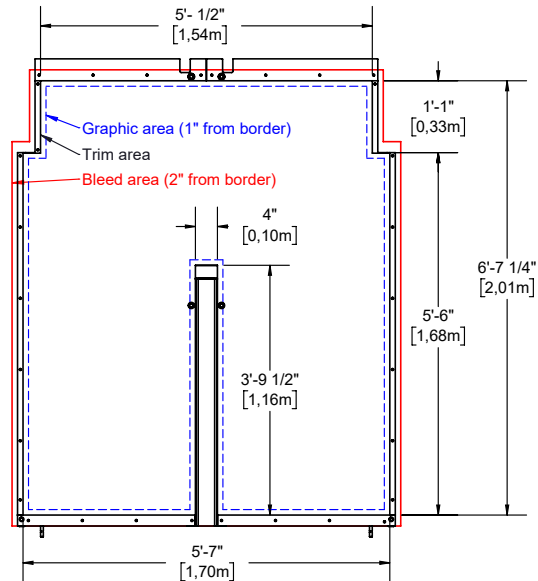
18oz Grey Vinyl

\* Applicable only for units #946 and up.

Drawings may show stage equipped with optional accessories. May be sold separately.

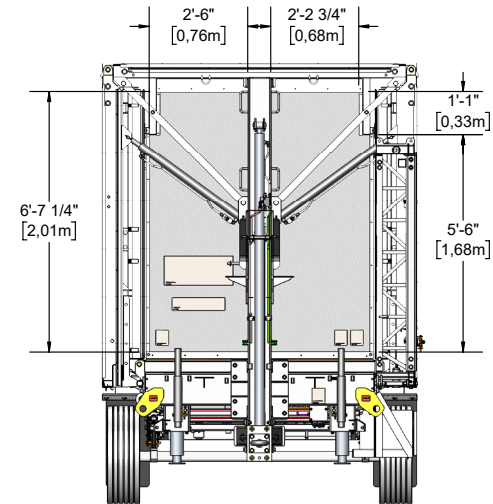
© 2019 - All rights reserved, Stageline Mobile Stage Inc. Any and all forms of adaptation or reproduction of this document including the plans and drawings found herein, in whole or in part, are strictly forbidden without the written authorisation of Stageline Mobile Stage Inc. Technical and stage specifications are subject to change without notice. Figures are nominal.

### Detailed printing area

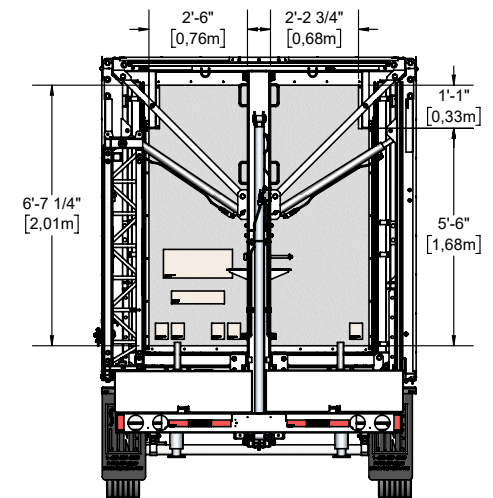


FRONT VIEW  
REAR VIEW  
SCALE 1:30

### Representation on trailer



FRONT VIEW  
SCALE 1:50



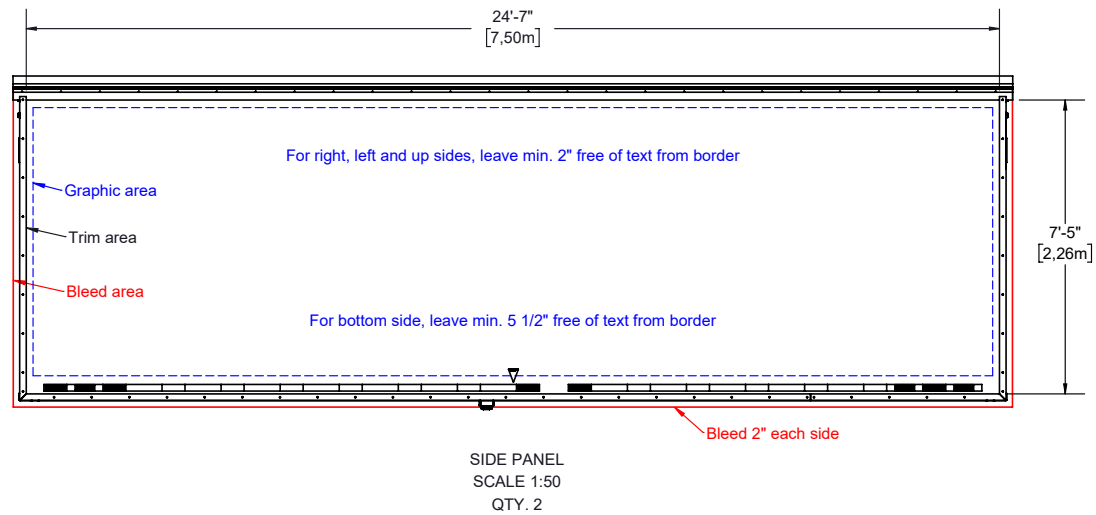
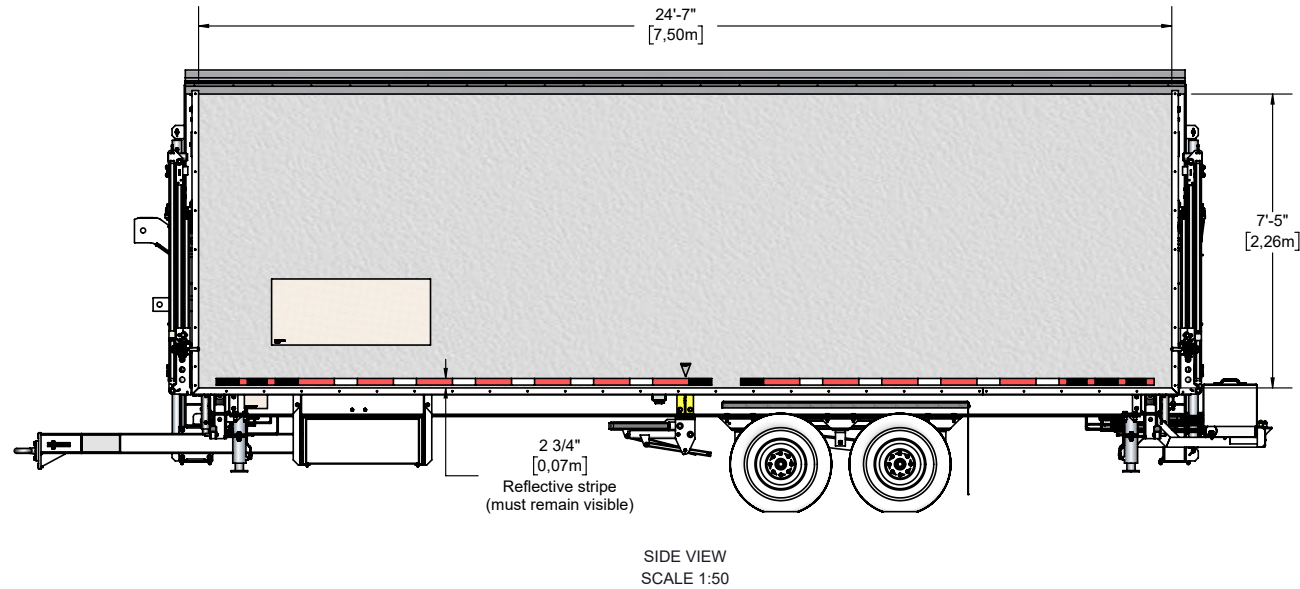
REAR VIEW  
SCALE 1:50

\* Applicable only for units #946 and up.

Drawings may show stage equipped with optional accessories. May be sold separately.

© 2019 - All rights reserved, Stageline Mobile Stage Inc. Any and all forms of adaptation or reproduction of this document including the plans and drawings found herein, in whole or in part, are strictly forbidden without the written authorisation of Stageline Mobile Stage Inc. Technical and stage specifications are subject to change without notice. Figures are nominal.





Drawings may show stage equipped with optional accessories. May be sold separately.

© 2019 - All rights reserved, Stageline Mobile Stage Inc. Any and all forms of adaptation or reproduction of this document including the plans and drawings found herein, in whole or in part, are strictly forbidden without the written authorisation of Stageline Mobile Stage Inc. Technical and stage specifications are subject to change without notice. Figures are nominal.